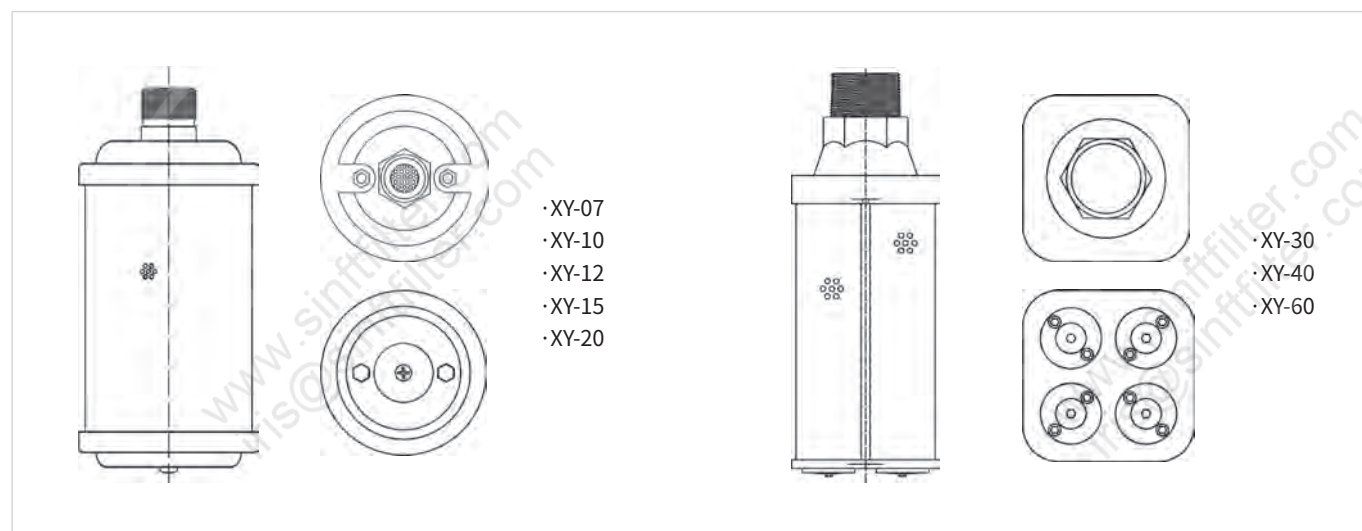


# XY-SERIES MUFFLERS

**SINFTFILTER**  
HEBEI SINFT FILTER CO., LTD.

| Model No. | Connection Size(Z) | Overall Dimension(mm) |     |         |
|-----------|--------------------|-----------------------|-----|---------|
|           |                    | H                     | h   | D       |
| XY-02     | 1/4"               | 112                   | 92  | Φ46.5   |
| XY-05     | 1/2"               | 150                   | 125 | Φ80     |
| XY-07     | 3/4"               | 181                   | 156 | Φ87     |
| XY-10     | 1"                 | 219                   | 183 | Φ99     |
| XY-12     | 1-1/4"             | 219                   | 183 | Φ99     |
| XY-15     | 1-1/2"             | 340                   | 299 | Φ133    |
| XY-20     | 2"                 | 476                   | 432 | Φ133    |
| XY-30     | 3"                 | 393                   | 472 | 173×173 |



SINFT mufflers adopt a special design principle of separating airflow and allowing it to self-reflect to reduce excessive noise. When the air enters the muffler at high speed, it is redirected into a smaller airflow, and the reverse flow bounces back to the opposite side of the muffler, causing the speed of the two fluid fronts to collide, reducing noise without affecting machine performance.

## ADVANTAGES OF SINFT MUFFLER :

- Large flow rate, high pressure resistance, and good noise reduction effect.
- Maximum noise reduction of up to 37 dB. Overall, noise levels are reduced by an average of 17-25 dB.
- Maximum pressure resistance up to 100kg.
- Replaceable cores, environmentally friendly and save your cost.
- High temperature and corrosion resistance.
- Meet the noise reduction requirements of various air.

| Type     | Size   | Inside Diameter | Outside Diameter | Height  |
|----------|--------|-----------------|------------------|---------|
| SFT-X-01 | 1/8"   | 30.5mm          | 39.5mm           | 51mm    |
| SFT-X-02 | 1/4"   | 30.5mm          | 39.5mm           | 75mm    |
| SFT-X-03 | 3/8"   | 47.5mm          | 57.5mm           | 87mm    |
| SFT-X-04 | 1/2"   | 57mm            | 71mm             | 101mm   |
| SFT-X-05 | 3/4"   | 62mm            | 77mm             | 130.5mm |
| SFT-X-06 | 1"     | 73.5mm          | 88.5mm           | 155.5mm |
| SFT-X-07 | 1 1/4" | 73.5mm          | 88.5mm           | 155.5mm |
| SFT-X-08 | 1 1/2" | 108mm           | 123mm            | 263mm   |
| SFT-X-09 | 2"     | 108mm           | 123mm            | 399mm   |
| SFT-X-10 | 3"     | 62mm            | 77mm             | 399mm   |
| SFT-X-11 | 4"     | 73.5mm          | 88.5mm           | 399mm   |
| SFT-X-12 | 6"     | 108mm           | 123mm            | 529mm   |



## WHAT DO WE PROVIDE ?

### Production and Packaging

- 100% quality inspection before shipment
- Small and light goods are packed in wooden boxes.
- Large and heavy goods are packed in wooden pallets or wooden boxes.

### Logistics and Transportation

- We have long-term cooperation with many logistics.
- Keep customers updated of products delivery and transportation status in a timely manner

### After-sales service

- Provide free technical consultation, product instructions and other help to solve customers' problems during use.
- If there are quality problems affect normal use, customers have the right to return the product.