



SUCTION FILTER ELEMENT

Hebei Sinft Filter Co.,Ltd.

FOR EXAMPLE:

- PEC Series
- SEH Series
- SEC Series
- FIOA Series
- TM Series
- STM Series
- TMD Series
- DFD Series

HEBEI SINFT FILTER CO., LTD.

- ☎ +8615303112602
- ✉ iris@sinfthfilter.com
- 🌐 www.sinfthfilter.com
- 📍 7th Building, Ruicheng City Plaza, Jinshan Street, Shijiazhuang, Hebei Province, China

BRIEF INTRODUCTION OF ENTERPRISE



HISTORY

SINFT is located in Shijiazhuang City, Hebei Province, covering 26,658 m². We was established in 2007, Now we has become an excellent manufacturer of brand-compatible spare parts in the industrial filtration and spraying fluid delivery industries with 16 years of experience accumulation and precipitation.

PRODUCT CATEGORY

- High Pressure Filter Elements
- Low Pressure Filter Elements
- Hydraulic Filter Elements
- Stainless Steel Filter Elements
- Pipeline Basket Strainer (simplex&Duplex)

• Replacement filter elements for over 200 brands
 INDUFIL, PALL, HYDAC, HILCO, BOLL&KIRTCH, MOATTI, FILTREC, INTERNORMAN, PARKER, SF, STAUFF, HIFI MP, VICKERS, DONALDSON, MP, ARGO, REXROTH, HY-PRO, EA-TON, TAISEIKOGYO, EPE etc.

VISION & MISSION

SINFT vision: High-quality, future-proof products and solutions with customer service for any need at any time. Everything we do starts with a specific need which represents our true mission. It drives us to continuously improve and build trust with our customers.

CERTIFICATION

SINFT certifications: ISO 9001:2015, CE, EPR and others.

PRODUCTION

SINFT produces high quality accessories and spare parts compatible with major brands in the world market with much competitive prices. We use advanced, professional, automated and precise equipment to escort the orders, and our professional quality department from the operator to the precise control system of the machine which all ensure the safety and reliability of the quality.

CONTENT

01 APPLICATION 03

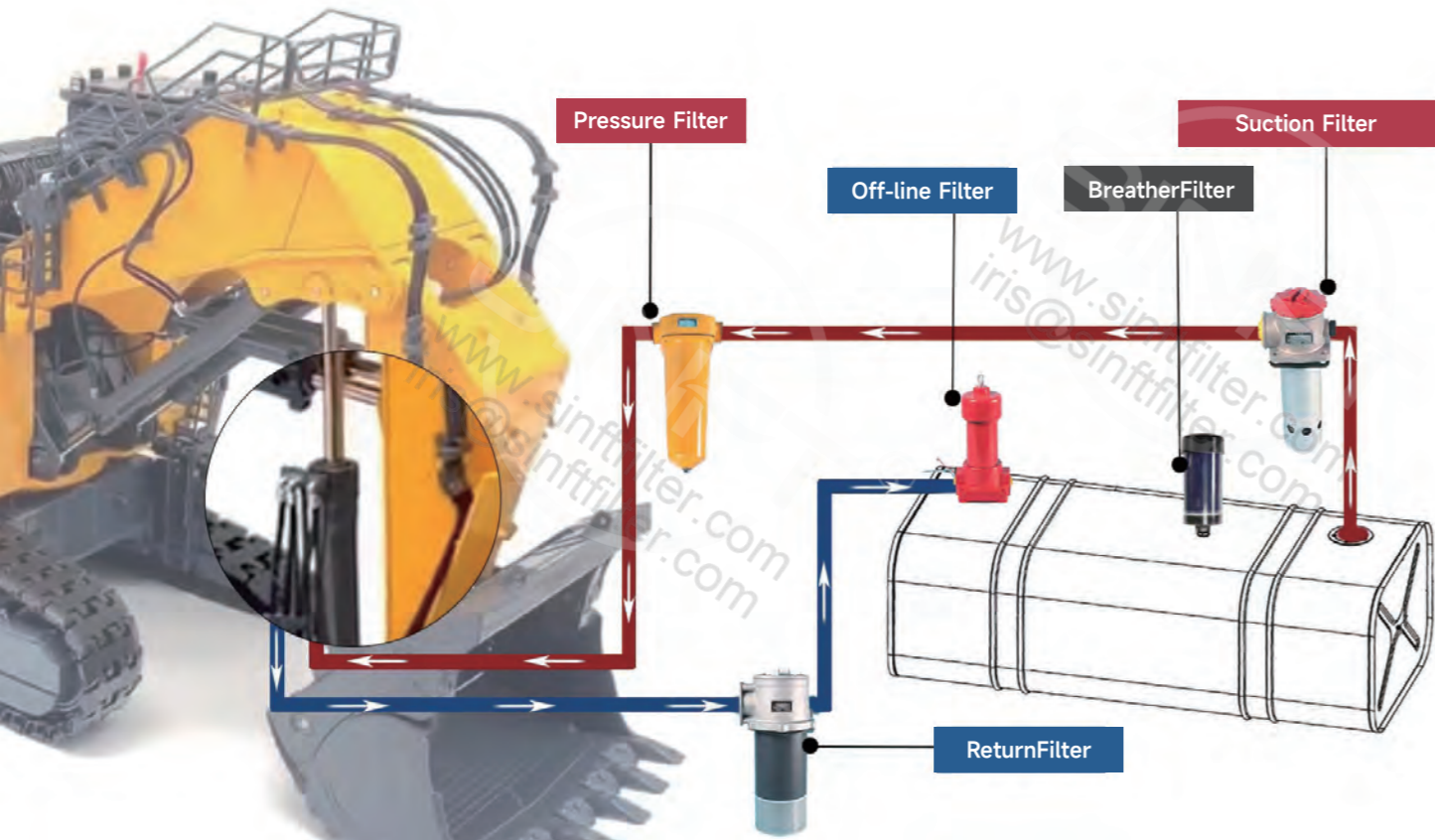
02 TECHNICAL DATA 03

03 PRODUCTS 05

- PEC Series
- SEH Series
- SEC Series
- FIOA Series
- TM Series
- STM Series
- TMD Series
- DFD Series

04 OUR SERVICES 18

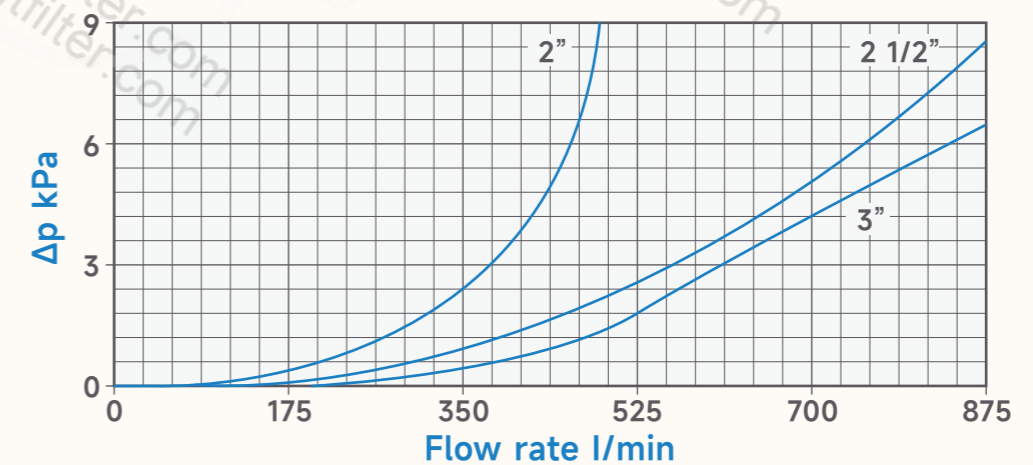
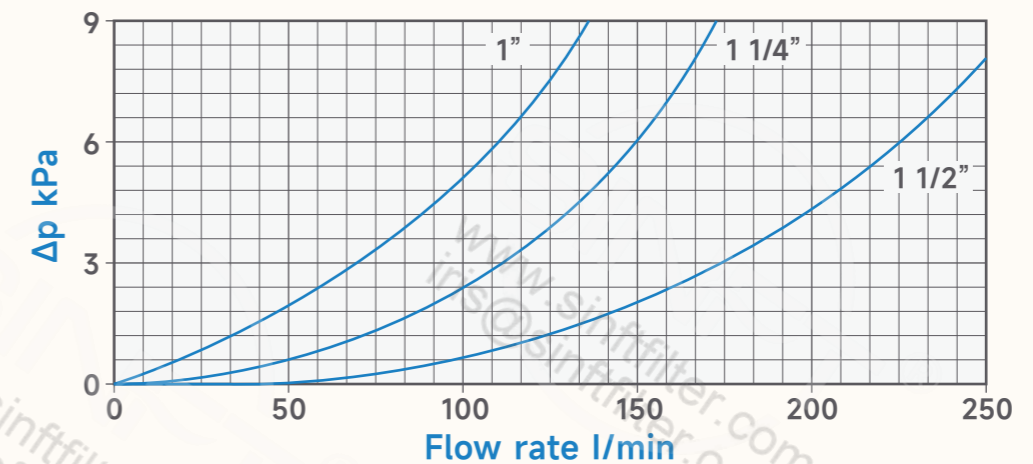
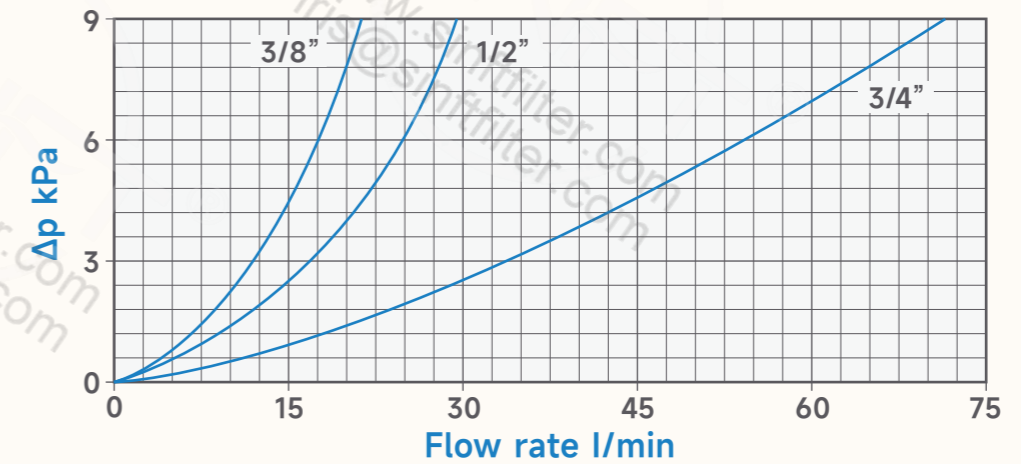
APPLICATION



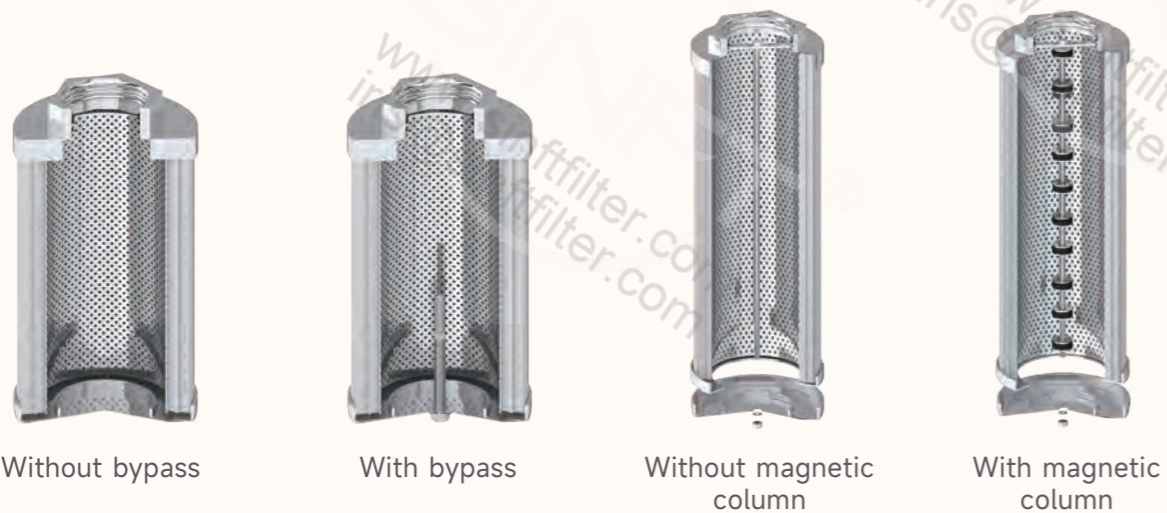
PRESSURE DROP

The curves are plotted using mineral oil with density of 0.86 kg/dm³ in compliance with ISO 3968. Δp varies proportionally with density.

Filters pressure drop Δp in function of connection type



TECHNICAL DATA



PRODUCTS

SUCTION STRAINERS

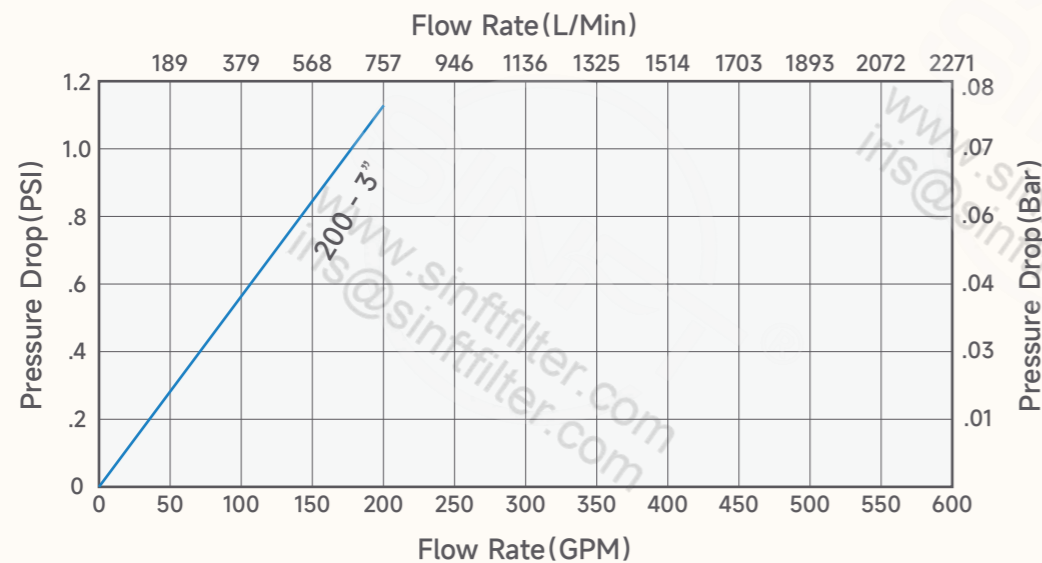
Specifications

- Flow Range: 0-300 gpm / 0-1,140 lpm
- Outlet Port Size: 3/8" NPT to 4" NPT
- Stainless Steel Mesh
- Steel or nylon fittings
- Operating temperatures: Steel fitting to 250°F / 121°C Nylon fitting to 210°F / 100°C
- Relief valve available

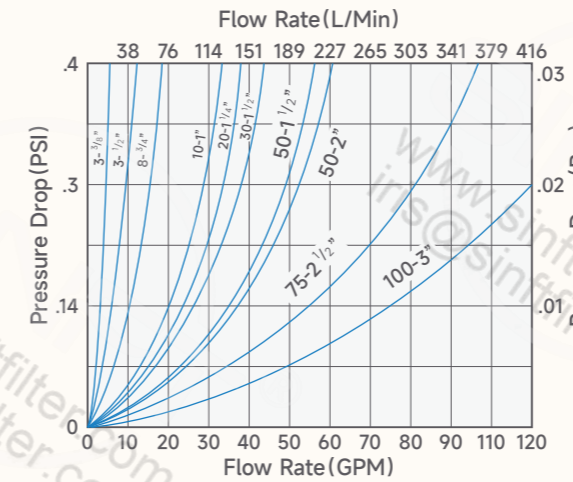
Features

SINFT suction strainers are zinc-plated, with stainless steel mesh screens and rugged steel core centers epoxy bonded to heavy gauge connector and end caps. Suction strainers filter petroleum-based hydraulic fluids, phosphate esters, water glycols, lubricating oils, coolants, and fuels in fluid reservoirs, sumps and similar applications. They are cleanable and reusable. Clean by swishing in non-caustic solvent, then blow dry from inner diameter to outer diameter with compressed air.

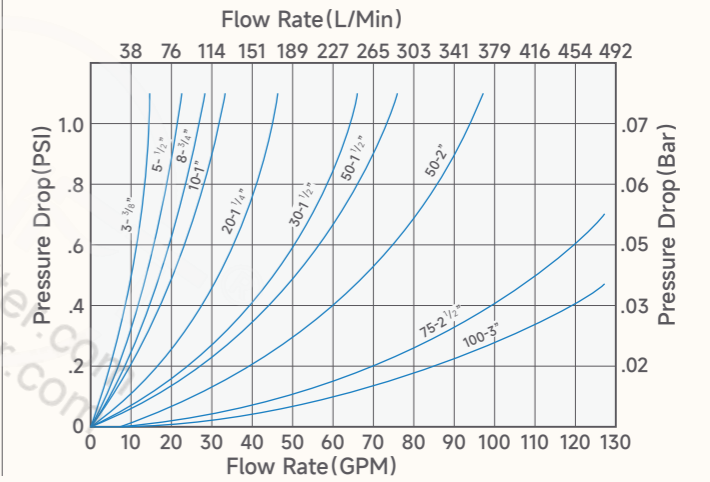
SEC (Steel Fitting) 200-300



PEC (Nylon Fitting) 3-100



SEH/SEC (Steel Fitting) 3-100



| SINFT model | Description | Relief Valve Setting | Outlet Pipe Size | Wire Mesh Size | Dim. A (in/mm) | Dim. B (in/mm) | Screen Area (in ² /cm ²) | Max. Flow (gpm/lpm) |
|-------------|-------------|----------------------|------------------|----------------|----------------|----------------|---|---------------------|
| SIN01-30001 | FIOA 20 | n/a | G3/8" | 90micron | 2.05/52 | 3.03/77 | 29/184 | 2.7/10 |
| SIN01-30002 | FIOA 50 | n/a | G3/4" | 90micron | 2.95/75 | 3.74/95 | 54/348 | 6.6/25 |
| SIN01-30003 | FIOA 90 | n/a | G1" | 90micron | 2.95/75 | 5.55/141 | 86/554 | 12.0/45 |
| SIN01-30004 | FIOA 130 | n/a | G1 1/4" | 90micron | 3.74/95 | 7.24/184 | | 17.3/65 |
| SIN01-30005 | FIOA 175 | n/a | G1 1/2" | 90micron | 5.51/140 | 4.45/113 | 183/1178 | 22.6/85 |



| SINFT model | Description | Relief Valve Setting | Outlet Pipe Size | Wire Mesh Size | Dim. A (in/mm) | Dim. B (in/mm) | Screen Area (in ² /cm ²) | Max. Flow (gpm/lpm) |
|-------------|----------------------|----------------------|------------------|----------------|----------------|----------------|---|---------------------|
| SIN01-2001 | SEC-75-2.1/2-100 | n/a | 2-1/2" NPT | 100 | 5.12/130 | 10.1/257 | 400/2581 | 75/282 |
| SIN01-2002 | SEC-75-2.1/2-100-RV3 | 3psid/0.2bar | 2-1/2" NPT | 100 | 5.12/130 | 10.1/257 | 400/2581 | 75/282 |
| SIN01-2003 | SEC-100-3-100 | n/a | 3" NPT | 100 | 5.12/130 | 11.78/299 | 500/3226 | 100/376 |
| SIN01-2004 | SEC-100-3-100-RV3 | 3psid/0.2bar | 3" NPT | 100 | 5.12/130 | 11.78/299 | 500/3226 | 100/376 |
| SIN01-2005 | SEC-100-3-60 | n/a | 3" NPT | 60 | 5.12/130 | 11.78/299 | 500/3226 | 100/376 |
| SIN01-2006 | SEC-100-3-60-RV3 | 3psid/0.2bar | 3" NPT | 60 | 5.12/130 | 11.78/299 | 500/3226 | 100/376 |
| SIN01-2007 | SEC-200-3-100 | n/a | 3" NPT | 100 | 8.1/206 | 11.3/287 | 965/6226 | 200/752 |
| SIN01-2008 | SEC-300-4-100 | n/a | 4" NPT | 100 | 8.1/206 | 15/381 | 1370/8839 | 300/1128 |

| SINFT model | Description | Relief Valve Setting | Outlet Pipe Size | Wire Mesh Size | Dim. A (in/mm) | Dim. B (in/mm) | Screen Area (in ² /cm ²) | Max. Flow (gpm/lpm) |
|-------------|----------------------|----------------------|------------------|----------------|----------------|----------------|---|---------------------|
| SIN01-1001 | SEH-3-3/8-100 | n/a | 3/8" NPT | 100 | 1.9/48 | 2.5/64 | 34/219 | 3/11 |
| SIN01-1002 | SEH-5-1/2-100 | n/a | 1/2" NPT | 100 | 2.63/67 | 3.1/79 | 62/400 | 5/19 |
| SIN01-1003 | SEH-5-1/2-100-RV3 | 3psid/0.2bar | 1/2" NPT | 100 | 2.7/69 | 3.1/79 | 62/400 | 5/19 |
| SIN01-1004 | SEH-8-3/4-100 | n/a | 3/4" NPT | 100 | 2.63/67 | 3.55/90 | 68/439 | 8/30 |
| SIN01-1005 | SEH-8-3/4-100-RV3 | 3psid/0.2bar | 3/4" NPT | 100 | 2.63/67 | 3.55/90 | 68/439 | 8/30 |
| SIN01-1006 | SEH-10-1-100 | n/a | 1" NPT | 100 | 2.63/67 | 5.35/136 | 110/710 | 10/38 |
| SIN01-1007 | SEH-10-1-100-RV3 | 3psid/0.2bar | 1" NPT | 100 | 2.63/67 | 5.35/136 | 110/710 | 10/38 |
| SIN01-1008 | SEH-20-1.1/4-100 | n/a | 1-1/4" NPT | 100 | 3.38/86 | 6.85/174 | 162/1045 | 20/75 |
| SIN01-1009 | SEH-20-1.1/4-100-RV3 | 3psid/0.2bar | 1-1/4" NPT | 100 | 3.38/86 | 6.85/174 | 162/1045 | 20/75 |
| SIN01-1010 | SEH-30-1.1/2-100 | n/a | 1-1/2" NPT | 100 | 3.38/86 | 8.01/203 | 225/1452 | 30/113 |
| SIN01-1011 | SEH-30-1.1/2-100-RV3 | 3psid/0.2bar | 1-1/2" NPT | 100 | 3.38/86 | 8.01/203 | 225/1452 | 30/113 |
| SIN01-1012 | SEH-50-1.1/2-100 | n/a | 1-1/2" NPT | 100 | 3.94/100 | 9.8/249 | 340/2194 | 50/188 |
| SIN01-1013 | SEH-50-1.1/2-100-RV3 | 3psid/0.2bar | 1-1/2" NPT | 100 | 3.94/100 | 9.8/249 | 340/2194 | 50/188 |
| SIN01-1014 | SEH-50-1.1/2-60 | n/a | 1-1/2" NPT | 60 | 3.94/100 | 9.8/249 | 340/2194 | 50/188 |
| SIN01-1015 | SEH-50-2-100 | n/a | 2" NPT | 100 | 3.94/100 | 9.8/249 | 340/2194 | 50/188 |
| SIN01-1016 | SEH-50-2-100-RV3 | 3psid/0.2bar | 2" NPT | 100 | 3.94/100 | 9.8/249 | 340/2194 | 50/188 |



| SINFT model | Description | Relief Valve Setting | Outlet Pipe Size | Wire Mesh Size | Dim. A (in/mm) | Dim. B (in/mm) | Screen Area (in ² /cm ²) | Max. Flow (gpm/lpm) |
|-------------|-------------------|----------------------|------------------|----------------|----------------|----------------|---|---------------------|
| SIN01-0001 | PEC-3-3/8-100 | n/a | 3/8" NPT | 100 | 1.9/48 | 2.7/69 | 20/129 | 3/11 |
| SIN01-0002 | PEC-5-1/2-100 | n/a | 1/2" NPT | 100 | 1.9/48 | 4.3/109 | 25/161 | 5/19 |
| SIN01-0003 | PEC-8-3/4-100 | n/a | 3/4" NPT | 100 | 2.7/69 | 4.3/109 | 40/258 | 8/30 |
| SIN01-0004 | PEC-8-3/4-100-RV3 | 3psid/0.2bar | 3/4" NPT | 100 | 2.7/69 | 4.3/109 | 40/258 | 8/30 |
| SIN01-0005 | PEC-8-1-100 | n/a | 1" NPT | 100 | 2.7/69 | 4.3/109 | 40/258 | 8/30 |
| SIN01-0006 | PEC-10-1-100 | n/a | 1" NPT | 100 | 2.7/69 | 5.6/142 | 70/452 | 10/38 |
| SIN01-0007 | PEC-10-1-100-RV3 | 3psid/0.2bar | 1" NPT | 100 | 2.7/69 | 5.6/142 | 70/452 | 10/38 |
| SIN01-0008 | PEC-20-1.1/4-100 | n/a | 1-1/4" NPT | 100 | 3.4/86 | 5.6/142 | 128/826 | 20/75 |

| SINFT model | Description | Relief Valve Setting | Outlet Pipe Size | Wire Mesh Size | Dim. A (in/mm) | Dim. B (in/mm) | Screen Area (in ² /cm ²) | Max. Flow (gpm/lpm) |
|-------------|----------------------|----------------------|------------------|----------------|----------------|----------------|---|---------------------|
| SIN01-0009 | PEC-20-1.1/4-100-RV3 | 3psid/0.2bar | 1-1/4" NPT | 100 | 3.4/86 | 5.6/142 | 128/826 | 20/75 |
| SIN01-0010 | PEC-20-1.1/4-200 | n/a | 1-1/4" NPT | 200 | 3.4/86 | 5.6/142 | 128/826 | 20/75 |
| SIN01-0011 | PEC-30-1.1/2-100 | n/a | 1-1/2" NPT | 100 | 3.4/86 | 5.6/142 | 128/826 | 30/113 |
| SIN01-0012 | PEC-30-1.1/2-100-RV3 | 3psid/0.2bar | 1-1/2" NPT | 100 | 3.4/86 | 5.6/142 | 128/826 | 30/113 |
| SIN01-0013 | PEC-50-1.1/2-100 | n/a | 1-1/2" NPT | 100 | 4/102 | 8/203 | 200/1290 | 50/188 |
| SIN01-0014 | PEC-50-1.1/2-100-RV3 | 3psid/0.2bar | 1-1/2" NPT | 100 | 4/102 | 8/203 | 200/1290 | 50/188 |
| SIN01-0015 | PEC-50-2-100 | n/a | 2" NPT | 100 | 4/102 | 10.4/264 | 200/1290 | 50/188 |
| SIN01-0016 | PEC-50-2-100-RV3 | 3psid/0.2bar | 2" NPT | 100 | 4/102 | 10.4/264 | 200/1290 | 50/188 |
| SIN01-0017 | PEC-75-2.1/2-100 | n/a | 2-1/2" NPT | 100 | 5.2/132 | 8.5/216 | 316/2039 | 75/282 |
| SIN01-0018 | PEC-75-2.1/2-100-RV3 | 3psid/0.2bar | 2-1/2" NPT | 100 | 5.2/132 | 8.5/216 | 316/2039 | 75/282 |
| SIN01-0019 | PEC-100-3-100 | n/a | 3" NPT | 100 | 5.2/132 | 11.5/292 | 379/2445 | 100/376 |
| SIN01-0020 | PEC-100-3-100-RV3 | 3psid/0.2bar | 3" NPT | 100 | 5.2/132 | 11.5/292 | 379/2445 | 100/376 |
| SIN01-0021 | PEC-100-3-100-SST | n/a | 3" NPT | 100 | 5.2/132 | 11.5/292 | 379/2445 | 100/376 |

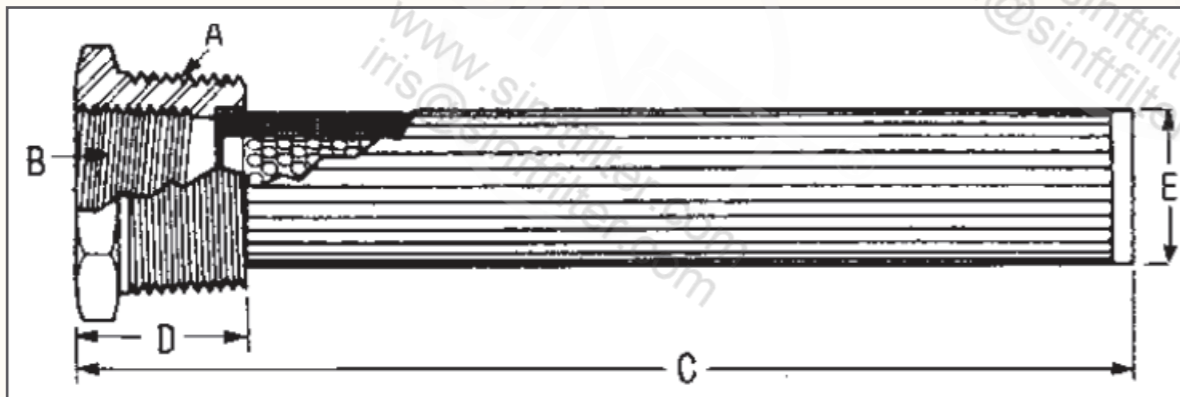
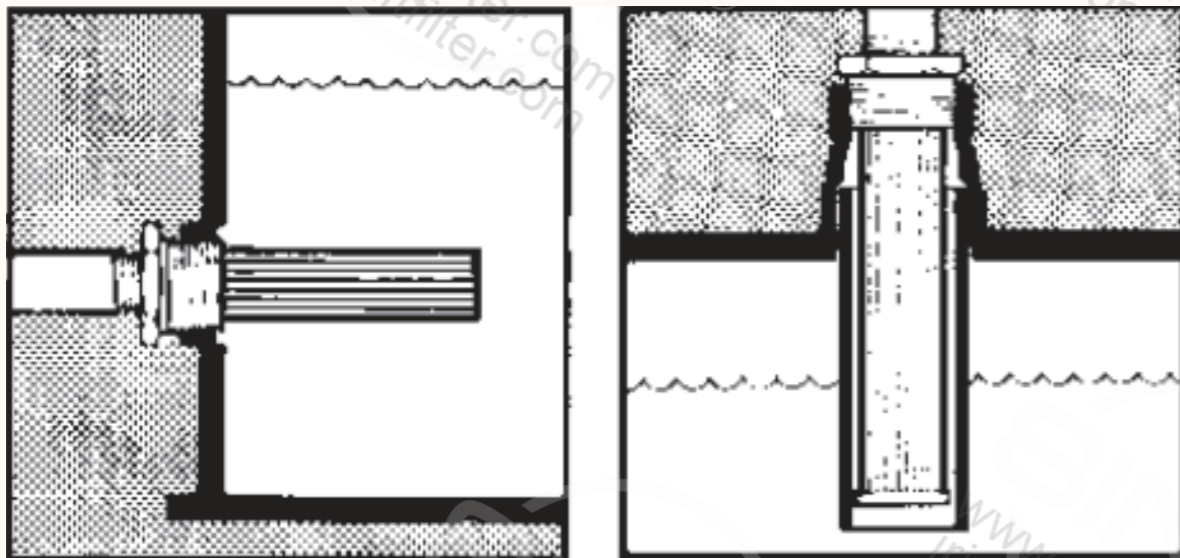
TANK MOUNTED STRAINERS

Specifications

- Flow Range: 0-100 gpm / 0-380 lpm
- Outlet Port Size: 3/8" NPT to 1¼" NPT or SAE-8 to SAE-20
- 140 Micron Stainless Steel Mesh
- Steel SAE bushing
- Cast iron NPT bushing
- Operating temperatures to 250°F / 121°C
- Relief valve available

Features

Tank mounted strainers offer easy installation. Access to reservoir interior is not needed. You can mount these units through a sidewall or through the tank top and into a standpipe.



| SINFT model | Description | Relief Valve Setting | Wire Mesh Size | Dimensions (in/mm) | | | | | Screen Area (in ² /cm ²) | Max. Flow (gpm/lpm) |
|-------------|----------------|----------------------|----------------|--------------------|------------------|----------|---------|---------|---|---------------------|
| | | | | A | B | C | D | E | | |
| SIN01-5001 | STM-5-100 | n/a | 100 | 1-5/16" -- 12 UN | 3/4" -- 16 UN | 5.34/136 | 1.06/27 | 1.17/30 | 35/226 | 5/19 |
| SIN01-5002 | STM-5-100-RV5 | 5 psid/ 0.35 bar | 100 | 1-5/16" -- 12 UN | 3/4" -- 16 UN | 5.34/136 | 1.06/27 | 1.17/30 | 35/226 | 5/19 |
| SIN01-5003 | STM-10-100 | n/a | 100 | 1-5/8" -- 12 UN | 1-1/16" -- 12 UN | 8.17/208 | 1.2/30 | 1.36/35 | 64/413 | 10/38 |
| SIN01-5004 | STM-10-100-RV5 | 5 psid/ 0.35 bar | 100 | 1-5/8" -- 12 UN | 1-1/16" -- 12 UN | 8.17/208 | 1.2/30 | 1.36/35 | 64/413 | 10/38 |
| SIN01-5005 | STM-15-100 | n/a | 100 | 1-7/8" -- 12 UN | 1-5/16" -- 12 UN | 8.2/208 | 1.22/31 | 1.66/42 | 86/555 | 15/56 |
| SIN01-5006 | STM-15-100-RV5 | 5 psid/ 0.35 bar | 100 | 1-7/8" -- 12 UN | 1-5/16" -- 12 UN | 8.2/208 | 1.22/31 | 1.66/42 | 86/555 | 15/56 |
| SIN01-5007 | STM-25-100 | n/a | 100 | 2-1/2" -- 12 UN | 1-5/8" -- 12 UN | 9.04/230 | 1.35/34 | 2.12/54 | 125/806 | 25/94 |
| SIN01-5008 | STM-25-100-RV5 | 5 psid/ 0.35 bar | 100 | 2-1/2" -- 12 UN | 1-5/8" -- 12 UN | 9.04/230 | 1.35/34 | 2.12/54 | 125/806 | 25/94 |

TMM SERIES



| SINFT model | Description | Relief Valve Setting | Wire Mesh Size | Dimensions (in/mm) | | | | | Screen Area (in ² /cm ²) | Max. Flow (gpm/lpm) |
|-------------|---------------|----------------------|----------------|--------------------|----------|----------|---------|---------|---|---------------------|
| | | | | A | B | C | D | E | | |
| SIN01-4001 | TM-3-100 | n/a | 100 | 3/4" NPT | 1/2" NPT | 4/102 | 0.97/25 | 0.87/22 | 29/187 | 3/11 |
| SIN01-4002 | TM-5-100 | n/a | 100 | 1" NPT | 1/2" NPT | 5.34/136 | 1.06/27 | 1.17/30 | 35/226 | 5/19 |
| SIN01-4003 | TM-5-100-RV5 | 5 psid/0.35 bar | 100 | 1" NPT | 1/2" NPT | 5.34/136 | 1.06/27 | 1.17/30 | 35/226 | 5/19 |
| SIN01-4004 | TM-10-100 | n/a | 100 | 1-1/4" NPT | 3/4" NPT | 8.17/208 | 1.2/30 | 1.36/35 | 64/413 | 10/38 |
| SIN01-4005 | TM-10-100-RV5 | 5 psid/0.35 bar | 100 | 1-1/4" NPT | 3/4" NPT | 8.17/208 | 1.2/30 | 1.36/35 | 64/413 | 10/38 |
| SIN01-4006 | TM-10-60-RV5 | 5 psid/0.35 bar | 60 | 1-1/4" NPT | 3/4" NPT | 8.17/208 | 1.2/30 | 1.36/35 | 64/413 | 10/38 |
| SIN01-4007 | TM-15-100 | n/a | 100 | 1-1/2" NPT | 1" NPT | 8.2/208 | 1.22/31 | 1.66/42 | 86/555 | 15/56 |

| SINFT model | Description | Relief Valve Setting | Wire Mesh Size | Dimensions (in/mm) | | | | | Screen Area (in ² /cm ²) | (gpm/lpm) |
|-------------|----------------|----------------------|----------------|--------------------|------------|----------|---------|---------|---|-----------|
| | | | | A | B | C | D | E | | |
| SIN01-4008 | TM-15-100-RV5 | 5 psid/0.35 bar | 100 | 1-1/2" NPT | 1" NPT | 8.2/208 | 1.22/31 | 1.66/42 | 86/555 | 15/56 |
| SIN01-4009 | TM-25-100 | n/a | 100 | 2" NPT | 1-1/4" NPT | 9.04/230 | 1.35/34 | 2.12/54 | 125/806 | 25/94 |
| SIN01-4010 | TM-25-100-RV5 | 5 psid/0.35 bar | 100 | 2" NPT | 1-1/4" NPT | 9.04/230 | 1.35/34 | 2.12/54 | 125/806 | 25/94 |
| SIN01-4011 | TM-25-200-RV5 | 5 psid/0.35 bar | 200 | 2" NPT | 1-1/4" NPT | 9.04/230 | 1.35/34 | 2.12/54 | 125/806 | 25/94 |
| SIN01-4012 | TM-50-100 | n/a | 100 | 3" NPT | 2" NPT | 9.7/246 | 1.7/43 | 3/76 | 260/1677 | 50/188 |
| SIN01-4013 | TM-50-100-RV3 | 3 psid/0.2 bar | 100 | 3" NPT | 2" NPT | 9.7/246 | 1.7/43 | 3/76 | 260/1677 | 50/188 |
| SIN01-4014 | TM-50-100-RV5 | 5 psid/0.35 bar | 100 | 3" NPT | 2" NPT | 9.7/246 | 1.7/43 | 3/76 | 260/1677 | 50/188 |
| SIN01-4015 | TM-100-100 | n/a | 100 | 4" NPT | 3" NPT | 11.3/287 | 1.8/46 | 4/102 | 315/2032 | 100/376 |
| SIN01-4016 | TM-100-100-RV5 | 5 psid/0.35 bar | 100 | 4" NPT | 3" NPT | 11.3/287 | 1.8/46 | 4/102 | 315/2032 | 100/376 |

DIFFUSERS

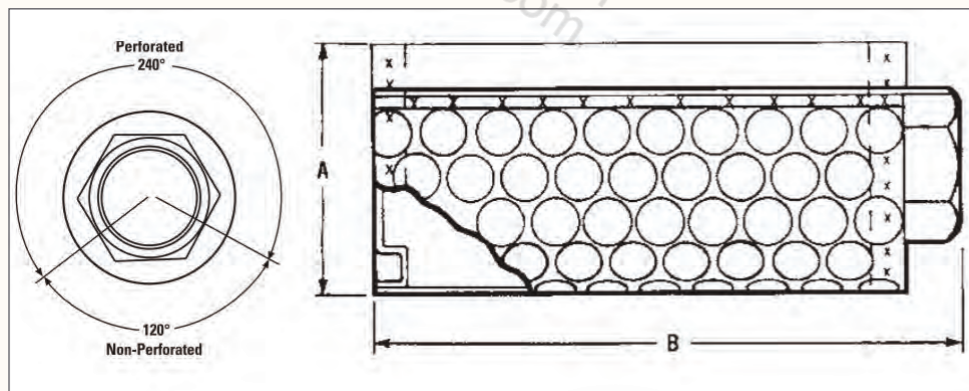
Specifications

- Perforated Steel
- Cast iron bushings (TMD-tank mount)
- Zinc-plated steel (DFD-return line)
- Operating temperatures to 250°F / 121°C
- Flow Range: 0-450 gpm / 0-1,710 lpm

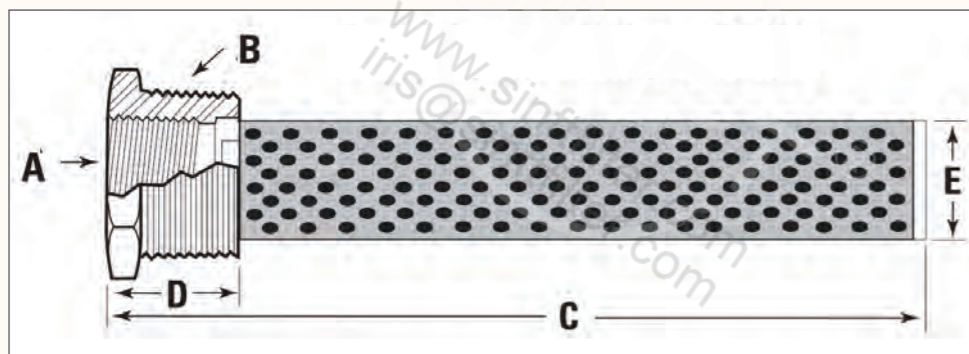
Features

Diffusers are highly effective in reducing aeration, foaming, turbulence and noise caused by return lines. Reservoir baffles can usually be eliminated, provided that the holes in the tube are positioned facing away from the pump suction inlet and below the reservoir oil level. Can be vertically or horizontally mounted with discharge side directed away from suction and preferably toward a tank wall or bottom.

Line Mounted Diffuser (DFD)

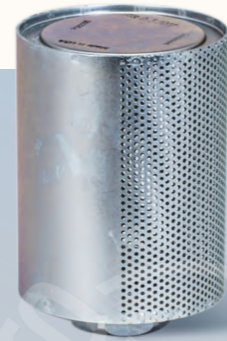


Tank Mounted Diffuser (TMD)



| SINFT model | Description | Rated Flow gpm/lpm | Dimension A Pipe Size | Dimension B Pipe Size | Dimensions (in/mm) | | |
|-------------|-------------|--------------------|-----------------------|-----------------------|--------------------|---------|---------|
| | | | | | C | D | E |
| SIN01-6001 | TMD-5 | 5/19 | 1/2" NPT | 1" NPT | 5.34/135 | 1.06/28 | 1.17/29 |
| SIN01-6002 | TMD-10 | 10/38 | 3/4" NPT | 1-1/4" NPT | 8.17/207 | 1.2/30 | 1.36/34 |
| SIN01-6003 | TMD-15 | 15/59 | 1" NPT | 1-1/2" NPT | 8.2/208 | 1.22/31 | 1.66/42 |
| SIN01-6004 | TMD-25 | 25/95 | 1-1/4" NPT | 2" NPT | 9.04/229 | 1.35/34 | 2.12/53 |
| SIN01-6005 | TMD-50 | 50/189 | 2" NPT | 3" NPT | 9.7/246 | 1.7/43 | 3.0/76 |

DFD SERIES



OUR SERVICES

SINFT industrial filter manufacturer always provides the best filtration solutions to a problem or a concern. To meet the different needs of the industrial filter, we offer a wide range of sizes and styles of filtration solutions to choose from. As a filtration expert, we are committed to technological innovation, and customer satisfaction. Our filter element are ideal for applications requiring low maintenance and uninterrupted process flow. And SINFT Filters have been proven in a variety of industries including Fluid Power, Oil and Gas, Aerospace, Off-Highway & Military, Automotive Aftermarket and Custom market applications.

SINFT certifications: ISO 9001:2015,CE, EPR and others.



If you need further advice and assistance in selecting products, please feel free to contact us.

| SINFT model | Description | Rated Flow gpm/lpm | Pipe Size | Dimension A (in/mm) | Dimension B (in/mm) |
|-------------|-------------|--------------------|------------|---------------------|---------------------|
| SIN01-7001 | DFD-30 | 33/125 | 3/4" NPT | 3.4/86.3 | 3.0/76 |
| SIN01-7002 | DFD-60 | 53/201 | 1" NPT | 3.4/86.3 | 4.2/107 |
| SIN01-7003 | DFD-90 | 93/342 | 1-1/4" NPT | 3.4/86.3 | 6.5/165 |
| SIN01-7004 | DFD-120 | 126/479 | 1-1/2" NPT | 4.5/114.3 | 6.6/168 |
| SIN01-7005 | DFD-200 | 209/794 | 2" NPT | 4.5/114.3 | 10.3/262 |
| SIN01-7006 | DFD-250 | 300/1140 | 2-1/2" NPT | 5.25/133.4 | 13.0/330 |
| SIN01-7007 | DFD-300 | 450/1748 | 3" NPT | 5.25/133.4 | 15.5/394 |