

HEBEI SINFT FILTER CO., LTD.



HEBEI SINFT FILTER CO., LTD.

TEL: +8617730561616

EMAIL: FILTERELEMENT@SINFTFILTER.COM

WEB: //WWW.SINFTFILTER.COM

ADD. : 7TH BUILDING, RUICHENG CITY PLAZA, JINSHAN STREET,
SHIJIAZHUANG, HEBEI PROVINCE, CHINA

BRIEF INTRODUCTION OF ENTERPRISE

HISTORY

Sinft is located in Shijiazhuang City, Hebei Province, covering 26,658 m². We was established in 2007, Now we has become an excellent manufacturer of brand-compatible spare parts in the industrial filtration with 16 years of experience accumulation and precipitation

VISION & MISSION

Sinft vision: High-quality, future-proof products and solutions with customer service for any need at any time. Everything we do starts with a specific need which represents our true mission. It drives us to continuously improve and build trust with our customers.

PRODUCTION

SINFT produces high quality accessories and spare parts compatible with major brands in the world market with much competitive prices. We use advanced, professional, automated and precise equipment to escort the orders, and our professional quality department from the operator to the precise control system of the machine which all ensure the safety and reliability of the quality.

CERTIFICATION

SINFT certifications: ISO 9001:2015, CE, EPR and others.



HOW THEY WORK

The muffler and filter product lines eliminate excessive noise by dividing the air stream and turning it back on itself. As air exhaust enters the muffler at high velocity, the mufflers redirect it into smaller air streams that rebound off opposing walls of the chamber. With the air streams colliding head-on with each other, the velocity is reduced and the air is dispersed throughout the disseminator surface area. This technique eliminates noise without sacrificing machine performance.

Radical, full-flow design uses interposing sound waves, multiple-stage velocity deceleration, an obstruction-free expansion chamber and a porous disseminator (filter element) to completely dissipate harmful air exhaust blasts. A large peripheral exhaust surface area diffuses the air blast, further lowering velocity and reducing air noise. Our product is ideal for reducing Exponentially Perceived Noise (EPNdB).

ADVANTAGES

- ▶ Noise cancelled by interposingsound waves.
- ▶ Multiple stage velocity deceleration.
- ▶ Disseminator completely dissipatesharmful exhaust blast.
- ▶ Radical full-flow design.
- ▶ Obstruction free expansion chamber.
- ▶ Capacious peripheral exhaust surface diffuses air blast, lowers velocity and reduces noise.
- ▶ Superbly quiets exponentially perceived noise (EPNdB)
- ▶ Noise abated well within theestablished OSHA PerformanceStandards. Reference CFR 291910.95,1910.98

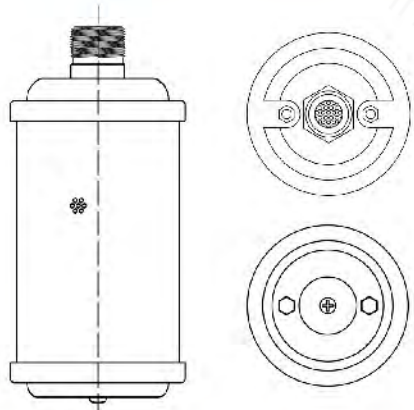
BRIEF INTRODUCTION OF ENTERPRISE

TECHNICAL PARAMETERS:

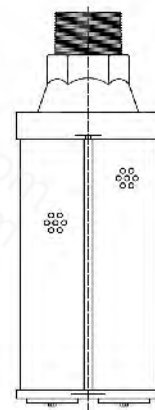
- Application: exhaust muffler for adsorption dryer
- Material: sound-absorbing ultrafine glass wool with high-temperature resistance
- Noise reduction: 30dB above
- Opening pressure of by-pass safety valve: 2.0~2.2kgf/cm²
- Operating temperature: ≤65°C
- Max. operating pressure: 10bar



Model No.	Connection Size(Z)	Overall Dimension(mm)		
		H	h	D
XY-02	1/4"	112	92	Φ46.5
XY-05	1/2"	150	125	Φ80
XY-07	3/4"	181	156	Φ87
XY-10	1"	219	183	Φ99
XY-12	1-1/4"	219	183	Φ99
XY-15	1-1/2"	340	299	Φ133
XY-20	2"	476	432	Φ133
XY-30	3"	393	472	173×173



·XY-07
·XY-10
·XY-12
·XY-15
·XY-20



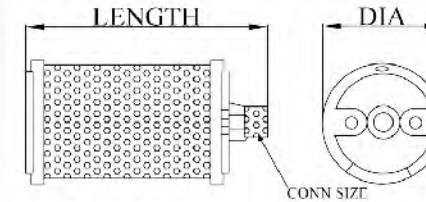
·XY-30
·XY-40
·XY-60

AIR EXHAUST MUFFLER

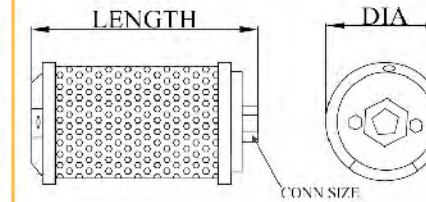
- The Air Exhaust Muffler expertly reduces Exponentially Perceived Noise (EPN_{dB}) without impeding equipment performance.
- Its design takes explosive air exhaust noise discharged from valve exhaust ports and muffles it with optimized Constant Velocity (CV) flow factor. Exhaust air flows softly to atmosphere free of noise, oil fog, and contaminants - providing a clean, comfortable and productive work environment.
- Features a unique obstruction-free expansion chamber, with corrosion-resistant aluminum end covers, zinc-plated steel components and a cellulose fiber element
- Recommended for general purpose air exhaust applications for pressures up to 125 psi (8.6 Bar)



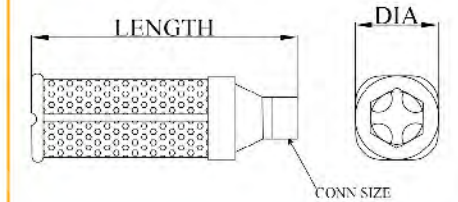
Single Chamber-Male



Single Chamber-Female



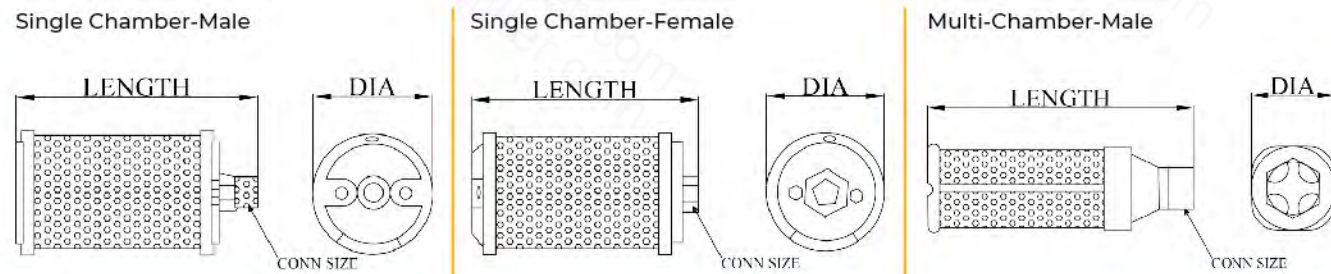
Multi-Chamber-Male



Conn Size	Connection Thread Types						Dimensions					
	Male NPT		Female NPS		Male BSPT		Diameter	Length		Item weight	Flow SCFM	Replacement Element
	Model Type	Item Number	Model Type	Item Number	Model Type	Item Number		Male	Female			
1/2	M05	SFT111-05	N05	SFT211-05	B05	SFT121-05	3.15	6.00	5.50	.79	256	SFT911-05
3/4	M07	SFT111-07	N07	SFT211-07	B07	SFT121-07	3.40	7.18	6.68	1.04	544	SFT911-07
1	M10	SFT111-10	N10	SFT211-10	B10	SFT121-10	3.90	8.75	7.92	1.42	800	SFT911-10
1-1/4	M12	SFT111-12	N12	SFT211-12	B12	SFT121-12	3.90	8.75	8.00	1.45	1360	SFT911-12
1-1/2	M15	SFT111-15	N15	SFT211-15	B15	SFT121-15	5.25	13.56	12.50	3.27	2080	SFT911-15
2	M20	SFT111-20	N20	SFT211-20	B20	SFT121-20	5.25	18.87	17.75	4.22	3200	SFT911-20
3	M30	SFT111-30	-	-	B30	SFT121-30	7.00	22.93	-	13.43	7200	SFT911-30
4	M40	SFT111-40	-	-	B40	SFT121-40	8.00	23.56	-	14.69	14000	SFT911-40
6	M60	SFT111-60	-	-	B60	SFT121-60	11.00	30.93	-	29.83	36000	SFT911-60

RELIEF VALVE MUFFLER

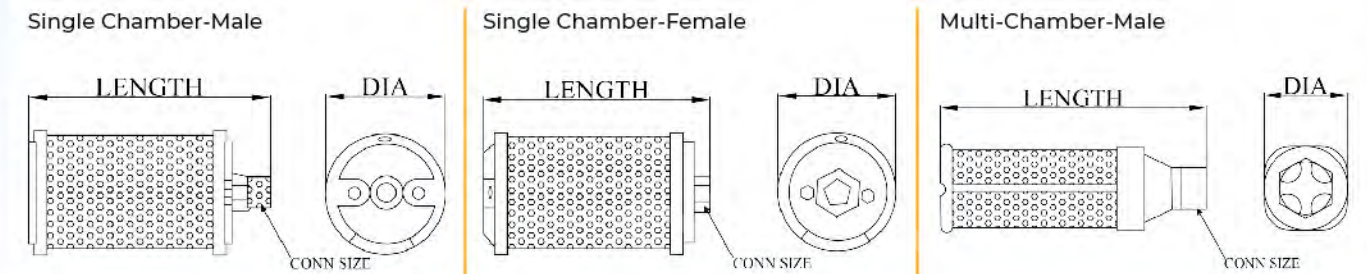
- Air Exhaust Muffler plus an added relief valve
- Relief Valve Muffler includes all the outstanding features of the industry-standard.
- Superior design and construction provides a low-cost, effective method of eliminating annoying, distracting noise emitted from air operated devices.
- Unique relief valve equalizes pressure by detecting any outflow deviation, responding to the pressure differential and opening up to compensate for outflow demands
- Recommended for pressures up to 175 psi (12 Bar).
- Relief Valve Mufflers are ideal for applications where uninterrupted continuous outflow is imperative.



Connection Thread Types							Dimensions					
Conn Size	Male NPT		Female NPS		Male BSPT		Diameter	Length		Item weight	Flow SCFM	Replacement Element
	Model Type	Item Number	Model Type	Item Number	Model Type	Item Number		Male	Female			
1/2	X05	SFT312-05	R05	SFT412-05	X05	SFT322-05	3.15	6.00	5.50	.89	256	SFT911-05
3/4	X07	SFT312-07	R07	SFT412-07	X07	SFT322-07	3.40	7.18	6.68	1.15	544	SFT911-07
1	X10	SFT312-10	R10	SFT412-10	X10	SFT322-10	3.90	8.75	7.92	1.68	800	SFT911-10
1-1/4	X12	SFT312-12	R12	SFT412-12	X12	SFT322-12	3.90	8.75	8.00	1.77	1360	SFT911-12
1-1/2	X15	SFT312-15	R15	SFT412-15	X15	SFT322-15	5.25	13.56	12.50	3.63	2080	SFT911-15
2	X20	SFT312-20	R20	SFT412-20	X20	SFT322-20	5.25	18.87	17.75	4.60	3200	SFT911-20
3	X30	SFT312-30	-	-	X30	SFT322-30	7.00	22.93	-	14.86	7200	SFT911-30
4	X40	SFT312-40	-	-	X40	SFT322-40	8.00	23.56	-	18.51	14000	SFT911-40
6	X60	SFT312-60	-	-	X60	SFT322-60	11.00	30.93	-	37.24	36000	SFT911-60

AIR DRYER MUFFLER

- Air Dryer Muffler is designed specifically to manage the demanding service problems associated with desiccant regenerative-type air dryers. Product specifically to manage the demanding service problems associated with desiccant regenerative-type air dryers, which often expel air laden with moisture and desiccant dust.
- The primary stage of the Air Dryer Muffler's dual-stage filter element traps particulates, allowing cleaner air to permeate freely through the secondary stage, which manages the reduction of noise.
- This design also features a relief valve that is triggered to open if the air outflow becomes obstructed by a build-up of particulate, which will divert the outflow directly to atmosphere.
- It is highly recommended that the air dryer system be initially purged of free desiccant fragments before installing a new Air Dryer Muffler or whenever an air dryer has been recharged with new desiccant material.



Connection Thread Types							Dimensions					
Conn Size	Male NPT		Female NPS		Male BSPT		Diameter	Length		Item weight	Flow SCFM	Replacement Element
	Model Type	Item Number	Model Type	Item Number	Model Type	Item Number		Male	Female			
1/2	X05	SFT375-05	R05	SFT475-05	X05	SFT325-05	3.15	6.00	5.50	1.12	243	SFT941-05
3/4	X07	SFT375-07	R07	SFT475-07	X07	SFT325-07	3.40	7.18	6.68	1.58	517	SFT941-07
1	X10	SFT375-10	R10	SFT475-10	X10	SFT325-10	3.90	8.75	7.92	2.29	760	SFT941-10
1-1/4	X12	SFT375-12	R12	SFT475-12	X12	SFT325-12	3.90	8.75	8.00	3.54	1292	SFT941-12
1-1/2	X15	SFT375-15	R15	SFT475-15	X15	SFT325-15	5.25	13.56	12.50	4.96	1664	SFT941-15
2	X20	SFT375-20	R20	SFT475-20	X20	SFT325-20	5.25	18.87	17.75	6.61	3040	SFT941-20
3	X30	SFT375-30	-	-	X30	SFT325-30	7.00	22.93	-	15.50	6840	SFT941-30
4	X40	SFT375-40	-	-	B40	SFT325-40	8.00	23.56	-	19.29	13300	SFT941-40
6	X60	SFT375-60	-	-	X60	SFT325-60	11.00	30.93	-	38.47	34200	SFT941-60

VACUUM PUMP EXHAUST MUFFLER

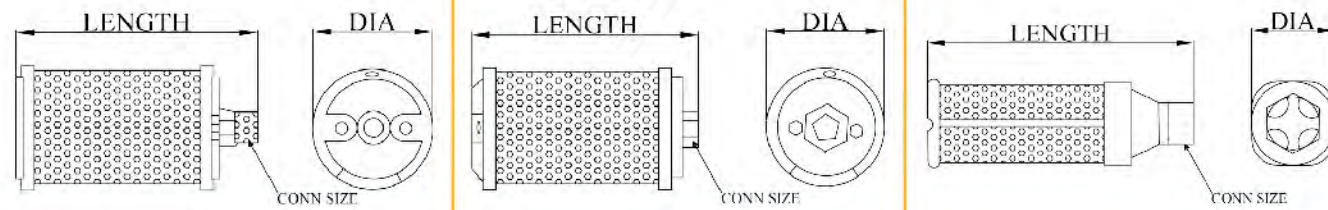
- Vacuum Pump Exhaust Muffler is an efficient and inexpensive addition to any pump.
- Noise reduction achieved by an obstruction-free expansion chamber that reduces exhaust air velocity and softly disperses it throughout the muffler's large disseminator surface area without impeding pump performance
- The Vacuum Pump Exhaust Muffler is recommended for applications where quiet and efficient pump performance is critical, such as in suction apparatuses, vacuum frames, checks, simulation chambers, and transfer and control devices.
- Recommended for pressures up to 125 psi (8.6 Bar)



Single Chamber-Male

Single Chamber-Female

Multi-Chamber-Male



Connection Thread Types					Dimensions					
Conn Size	Model Type	Male NPT	Female NPS	Male BSPT	Diameter	Length		Item weight	Flow SCFM	Replacement Element
		Item Number	Item Number	Item Number		Male	Female			
1/2	V05	SFT112-05	SFT212-05	SFT122-05	3.15	6.00	5.50	.80	244	SFT911-05
3/4	V07	SFT112-07	SFT212-07	SFT122-07	3.40	7.18	6.68	1.06	517	SFT911-07
1	V10	SFT112-10	SFT212-10	SFT122-10	3.90	8.75	7.92	1.44	760	SFT911-10
1-1/4	V12	SFT112-12	SFT212-12	SFT122-12	3.90	8.75	8.00	1.49	1292	SFT911-12
1-1/2	V15	SFT112-15	SFT212-15	SFT122-15	5.25	13.56	12.50	3.32	1976	SFT911-15
2	V20	SFT112-20	SFT212-20	SFT122-20	5.25	18.87	17.75	4.29	3040	SFT911-20
3	V30	SFT112-30	-	SFT122-30	7.00	22.93	-	13.43	6840	SFT911-30
4	V40	SFT112-40	-	SFT122-40	8.00	23.56	-	14.69	13300	SFT911-40
6	V60	SFT112-60	-	SFT122-60	11.00	30.93	-	29.83	34200	SFT911-60

FILTER SILENCER

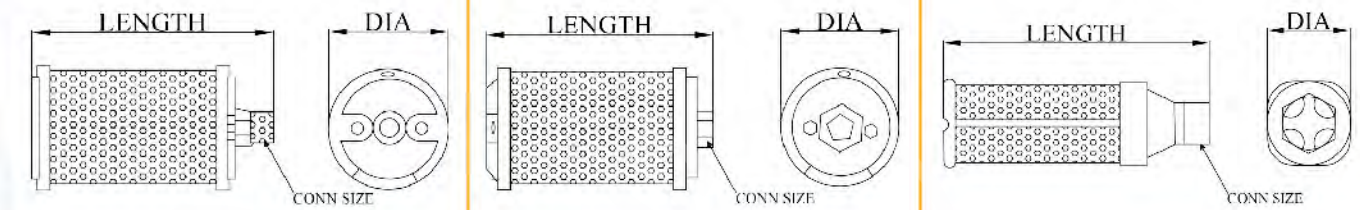
- Filter Silencer is a highly efficient filter and an effective muffler that performs equally well at high and low velocities.
- Filters out dirt particles as small as 5 micron
- Highly efficient filter - and effective muffler - performs equally well at high and low velocities
- Features easy-to-service design and durable construction for long life
- Designed for heavy-duty applications and sized for high flow rates and continuous operation
- Ideal for compressor intakes, pumps, reservoir vents and gear-housing breathers
- Replacement filter elements available, and wherever it is essential for air to be free of contaminants and excess noise.
- Recommended for pressures up to 125 psi (8.6 Bar)



Single Chamber-Male

Single Chamber-Female

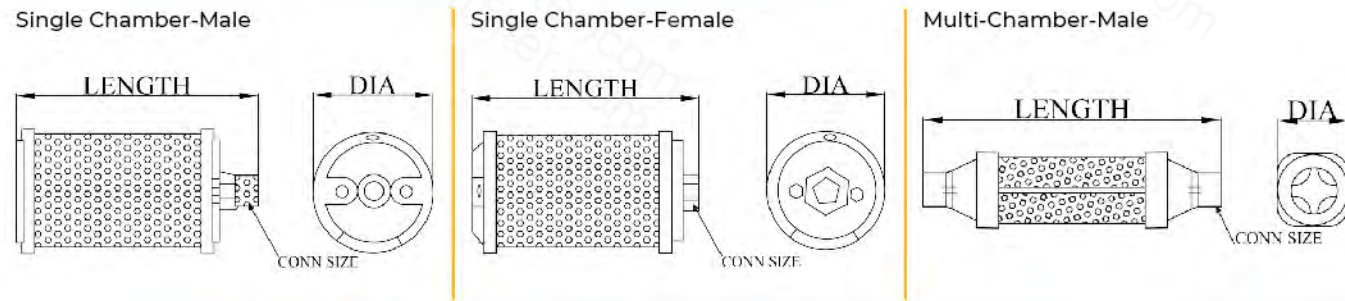
Multi-Chamber-Male



Connection Thread Types					Dimensions					
Conn Size	Model Type	Male NPT	Female NPS	Male BSPT	Diameter	Length		Item weight	Flow SCFM	Replacement Element
		Item Number	Item Number	Item Number		Male	Female			
1/2	F05	SFT113-05	SFT213-05	SFT123-05	3.15	6.00	5.50	.89	244	SFT931-05
3/4	F07	SFT113-07	SFT213-07	SFT123-07	3.40	7.18	6.68	1.19	517	SFT931-07
1	F10	SFT113-10	SFT213-10	SFT123-10	3.90	8.75	7.92	1.63	760	SFT931-10
1-1/4	F12	SFT113-12	SFT213-12	SFT123-12	3.90	8.75	8.00	1.66	1292	SFT931-12
1-1/2	F15	SFT113-15	SFT213-15	SFT123-15	5.25	13.56	12.50	3.87	1976	SFT931-15
2	F20	SFT113-20	SFT213-20	SFT123-20	5.25	18.87	17.75	5.19	3040	SFT931-20
3	F30	SFT113-30	-	SFT123-30	7.00	22.93	-	15.15	6840	SFT931-30
4	F40	SFT113-40	-	SFT123-40	8.00	23.56	-	16.79	13300	SFT931-40
6	F60	SFT113-60	-	SFT123-60	11.00	30.93	-	33.43	34200	SFT931-60

THRU-FLOW MUFFLER

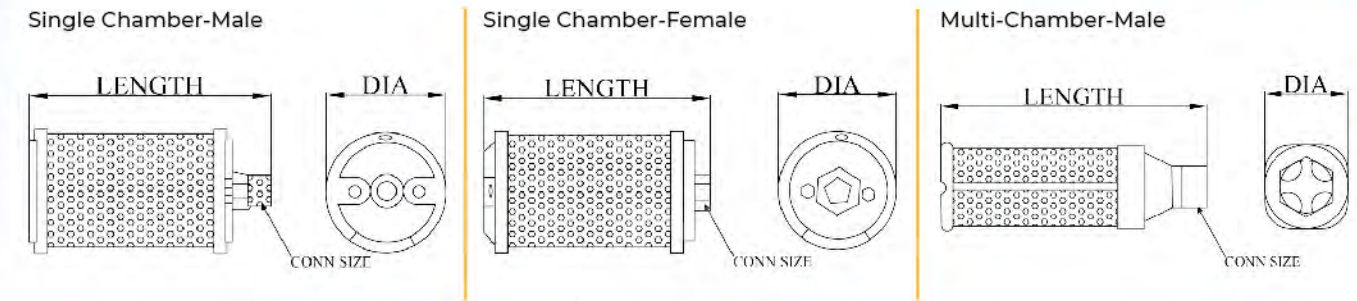
- The Thru-Flow Muffler reduces the exhaust noise and allows contaminants to freely pass through and out the other end, to be either captured or released as desired.
- Recommended for applications where compressed air is heavily contaminated with particulates
- This design can be used individually, in tandem or in a series to achieve the desired results.
- Note: Sizes 3" , 4" and 6" re Made-to-Order and non-returnable.



Connection Thread Types					Dimensions					
Conn Size	Model Type	Male NPT	Female NPS	Male BSPT	Diameter	Length		Item weight	Flow SCFM	Replacement Element
		Item Number	Item Number	Item Number		Male	Female			
1/2	T05	SFT319-05	SFT419-05	SFT329-05	3.15	7.00	5.78	.85	256	SFT911-05
3/4	T07	SFT319-07	SFT419-07	SFT329-07	3.40	8.25	6.96	1.12	544	SFT911-07
1	T10	SFT319-10	SFT419-10	SFT329-10	3.90	10.31	8.34	1.52	800	SFT911-10
1-1/4	T12	SFT319-12	SFT419-12	SFT329-12	3.90	10.37	8.46	1.62	1360	SFT911-12
1-1/2	T15	SFT319-15	SFT419-15	SFT329-15	5.25	15.37	13.03	3.50	2080	SFT911-15
2	T20	SFT319-20	SFT419-20	SFT329-20	5.25	20.75	18.23	4.48	3200	SFT911-20
3	T30	SFT319-30	-	SFT329-30	7.00	29.31	-	16.47	7200	SFT911-30
4	T40	SFT319-40	-	SFT329-40	8.00	30.06	-	18.87	14000	SFT911-40
6	T60	SFT319-60	-	SFT329-60	11.00	39.81	-	38.70	36000	SFT911-60

STEAM EXHAUST MUFFLER

- Steam Exhaust Muffler provides a lower cost alternative and effectively silences objectionable noise created by steam exhaust outlets during boiler start-ups and testing stages only.
- Products are constructed of corrosion-resistant materials.
- End caps treated with a special epoxy coating for additional resistance in high-alkali conditions. Well-suited for low-pressure food processing and similar applications
- Not designed for permanent installation on boilers or where pressures exceed 125 psi (8.6 Bar)



Connection Thread Types							Dimensions					
Conn Size	Male NPT		Female NPS		Male BSPT		Diameter	Length		Item weight	Flow SCFM	Replacement Element
	Model Type	Item Number	Model Type	Item Number	Model Type	Item Number		Male	Female			
1/2	S05	SFT114-05	Z05	SFT214-05	S05	SFT124-05	3.15	6.00	5.50	.92	216	SFT951-05
3/4	S07	SFT114-07	Z07	SFT214-07	S07	SFT124-07	3.40	7.18	6.68	1.33	424	SFT951-07
1	S10	SFT114-10	Z10	SFT214-10	S10	SFT124-10	3.90	8.75	7.92	1.78	800	SFT951-10
1-1/4	S12	SFT114-12	Z12	SFT214-12	S12	SFT124-12	3.90	8.75	8.00	2.99	1200	SFT951-12
1-1/2	S15	SFT114-15	Z15	SFT214-15	S15	SFT124-15	5.25	13.56	12.50	3.96	1920	SFT951-15
2	S20	SFT114-20	Z20	SFT214-20	S20	SFT124-20	5.25	18.87	17.75	5.32	2960	SFT951-20
3	S30	SFT114-30	-	-	S30	SFT124-30	7.00	22.93	-	14.07	6640	SFT951-30
4	S40	SFT114-40	-	-	S40	SFT124-40	8.00	23.56	-	15.48	14400	SFT951-40
6	S60	SFT114-60	-	-	S60	SFT124-60	11.00	30.93	-	31.06	34400	SFT951-60

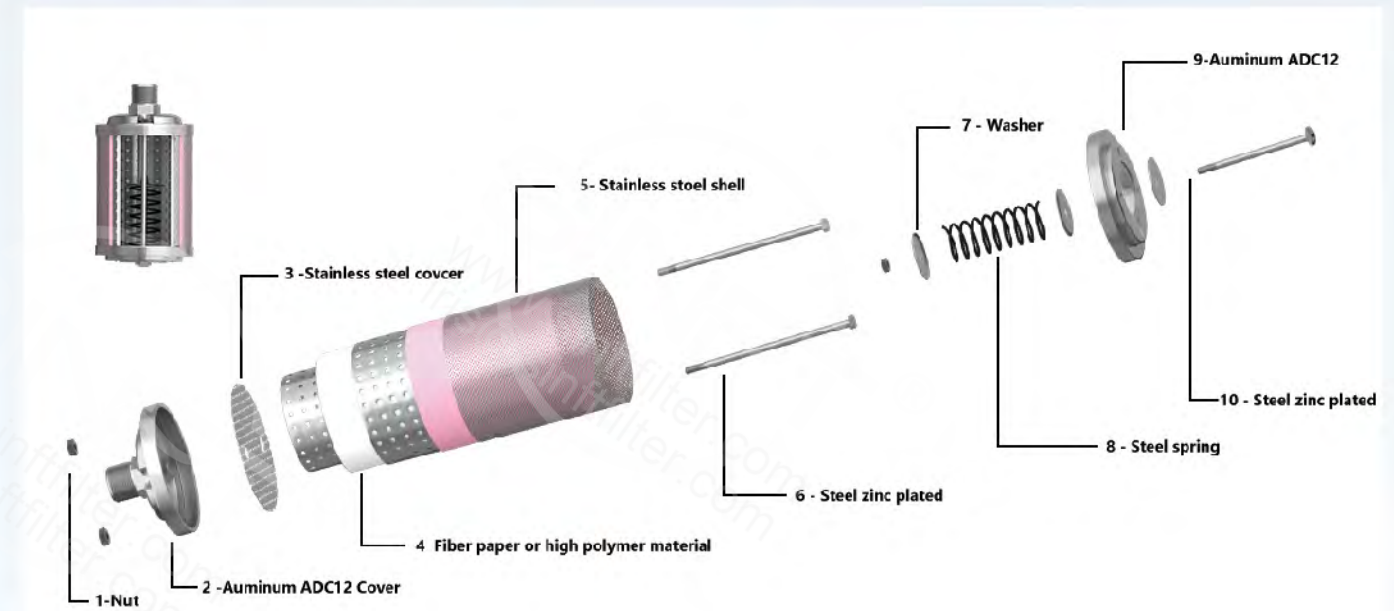
ELEMENTS FOR F AND M SERIES

Model	Size
SFT-X-001	1/8"
SFT-X-002	1/4"
SFT-X-003	3/8"
SFT-X-004	1/2"
SFT-X-005	3/4"
SFT-X-006	1"
SFT-X-007	1 1/4"
SFT-X-008	1 1/2"
SFT-X-009	2"

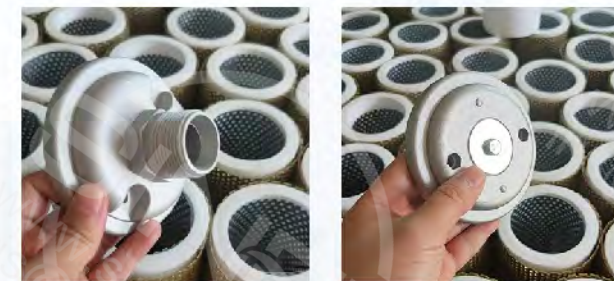


- Filters out dirt particles as small as 5 micron
- Provides up to 85 % noise reduction and 94 % flow factor
- Highly efficient dual-stage filter plus an effective muffler for equipment such as compressor intakes, pumps, reservoir vents and wherever it is essential for air to be free of contaminants and excess noise.
- Maximum pressure 125 psi
- F series has both an outer and inner perforated guard plus an additional felt disc at the inlet for extra silencing.
- M series has an outer perforated guard over the cellulose element.

PRODUCT STRUCTURE ANALYSIS



THRU-FLOW MUFFLER



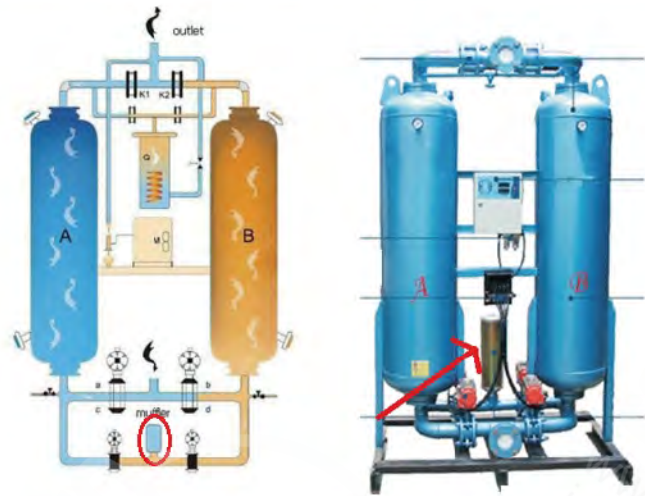
GALVANIZED STEEL GRIDS



MULTILAYER SILENCER COTTON-SOUND CANCELLING EFFECT IS GOOD



PRODUCT APPLICATION



BRASS-AMP-BRONZE-MUFFLER

- Mufflers come in differing versions depending on the application. Common design styles include cone, flat-face and cylindrical shapes.
- Sizes range from less than 0.125 in. (3 mm) to more than 2 in. (50 mm). They should meet the manufacturer's specification for allowable pressure range and connector size and type.
- Pneumatic silencers usually connect to ports using a threaded male end.

Unit:mm



Throttling

Unit:mm



Flat Head

Unit:mm



Long Head

FEATURE

- Mufflers utilize porous sintered bronze filter element secured to standard pipe fittings.
- These compact and inexpensive mufflers are easy to install and maintain, particularly suitable where space is limited.
- They are used to diffuse air and muffle noise from the exhaust ports of air valves, air cylinders and air tools to an acceptable level within OSHA noise requirements.

All product connection sizes and dimensions are given in inches.

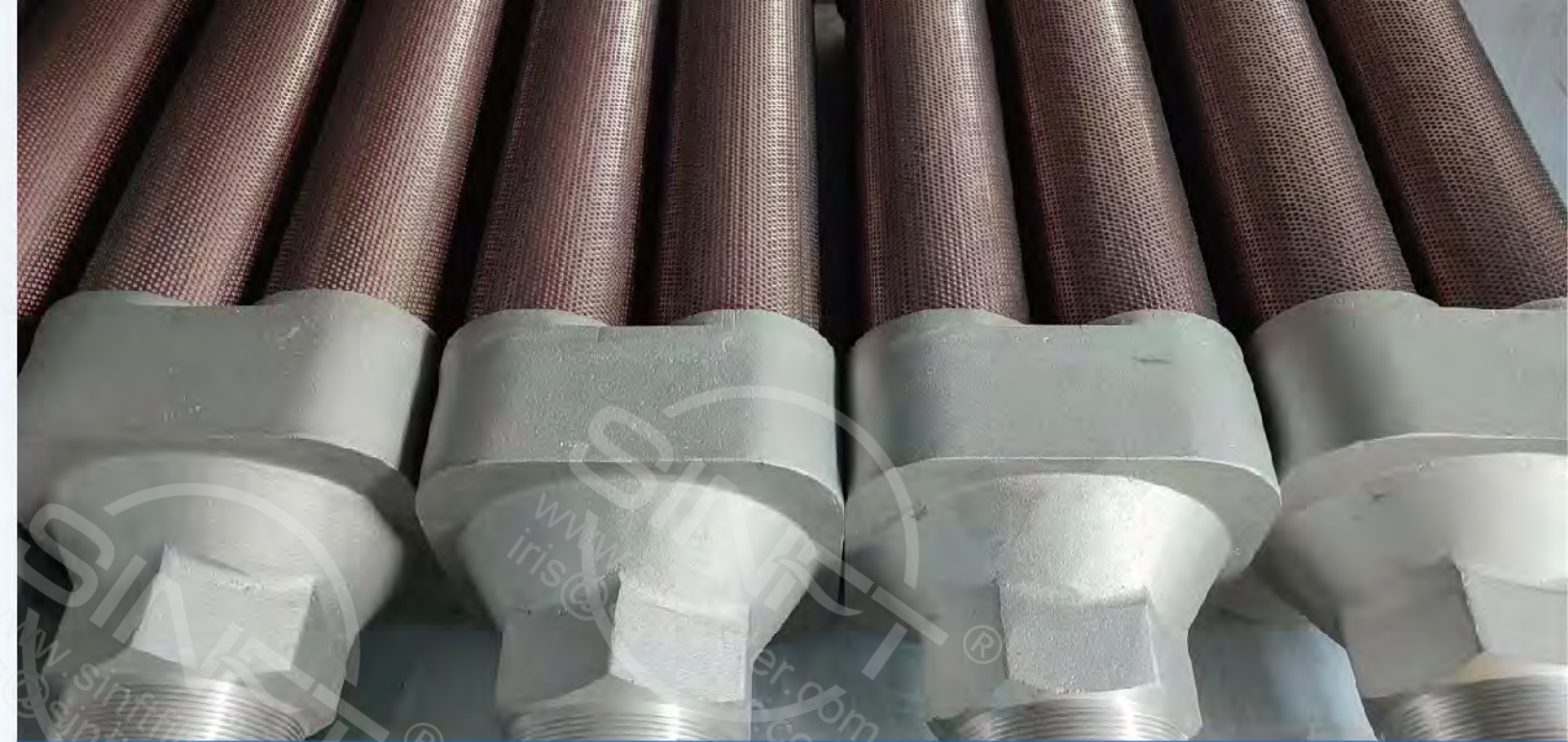
- Male NPT National Pipe Thread Tapered
- Male BSPT British Standard Pipe Thread Tapered (ISO 7-2:2000)
- Female NPS National Pipe Thread Straight

We recommend that all products be installed and used in indoor environments with temperatures between 50 and 120 ° F. If you choose or must install and use this product outdoors, please be careful to avoid direct exposure to various factors (rain, snow, wind, direct sunlight, etc.).

PRODUCT APPLICATION



These miniature pneumatic mufflers use porous sintered bronze mesh to reduce air exhaust noise. Stainless steel mufflers have a metal base with sintered stainless powder, wires or woven mesh. Rated working temperature reaches to around 400° F. They're a good option for applications that require corrosion protection, durability, or operation in washdown or sterile environments. Not surprisingly, they're more expensive than brass or plastic devices. They generally handle temperatures to about 300° F.



HOW MUCH NOISE IS TOO MUCH?

Noise levels in the upper 70 decibel (dB) range are annoying to some people. Exposure to levels above 80 dB for 8 hours can possibly cause damage, while damage is likely when exposed to levels above 90 dB for the same amount of time.

When levels are above 100 dB for 8 hours, serious damage is possible. 120 dB is considered the human threshold for pain, and eardrum rupture occurs at 150 dB.

Damage caused by noise goes beyond just hearing loss. Recent studies have shown that increased exposure to high levels of noise can cause stress, hypertension, and even cardiovascular problems.

Tests performed on air exhausts not equipped and equipped with the Atomuffler showed that noise levels can drop from 97-121 dB without a muffler down to 81-84 dB with the Atomuffler. That's a decrease of up to 37 dB. On average, noise levels were reduced 17-25 dB. However, every application is different and there is no way of predicting exact results.

To put everything in perspective:

3 dB reduction cuts sound energy in half

10 dB reduction decreases sound energy by a factor of 10

Loudness Comparison Graph

